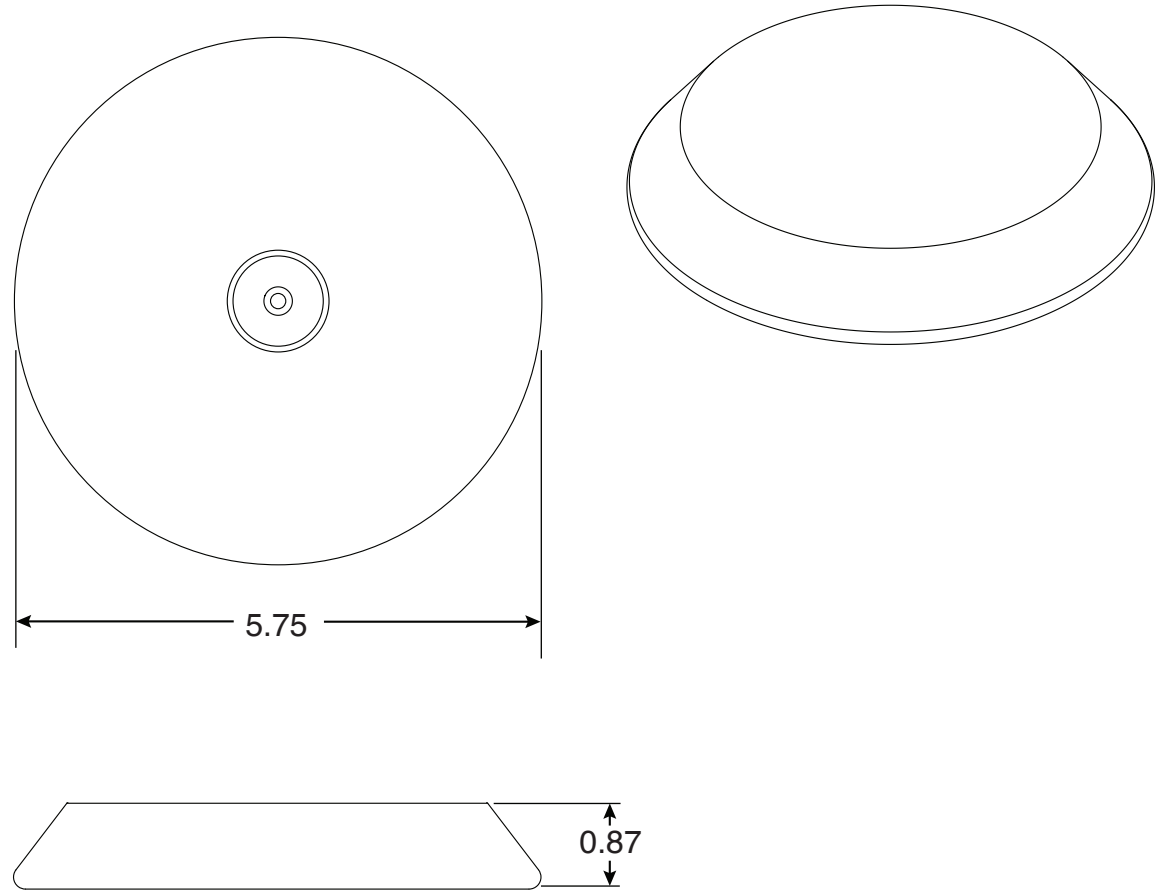




Metal Wall Anode

Part No.
TN-6W-516

Parts List	
QTY	Description
1	TN-6W-516 Wall Metal Anode



Page 1 of 1

- White Powder Coated Anode
- 5/16"-18 Mounting Hole