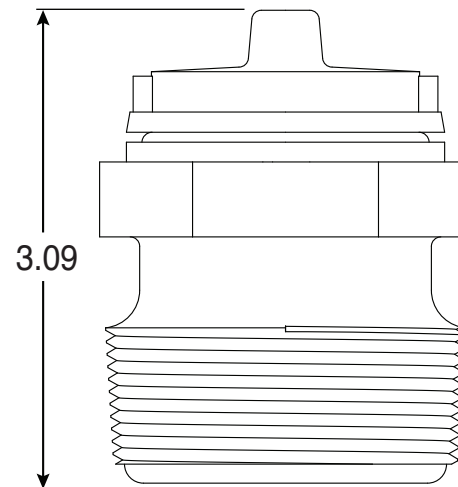
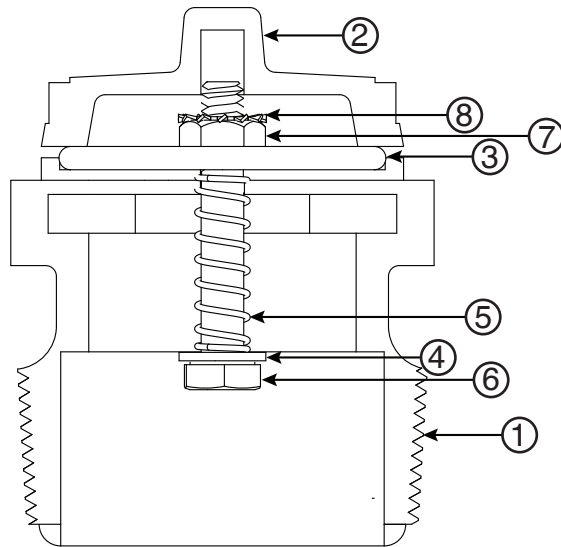
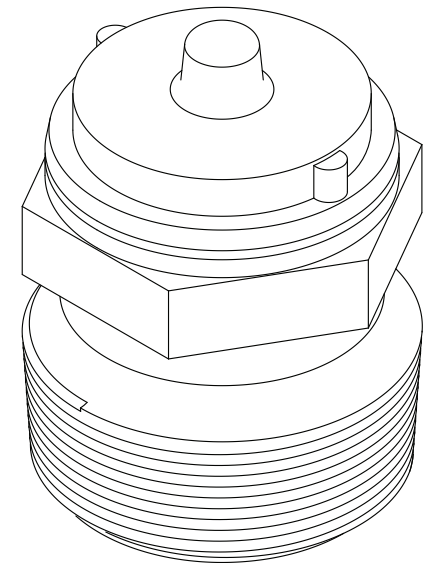
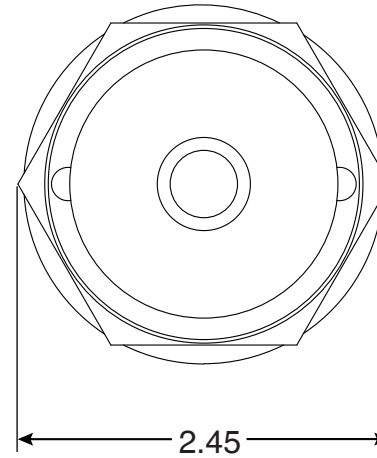




2" Hydrostatic Relief Valve

Part No.
PV-20

Parts List		
Part #	QTY	Description
1	1	Bronze Relief Valve Body 2"
2	1	Bronze Relief Valve Cap
3	1	O-Ring
4	1	1/4" Stainless Steel Washer
5	1	Stainless Steel Spring
6	1	1/4"-20 x 1-3/4" SS Bolt
7	1	1/4" Stainless Steel Nut
8	1	1/4" SS Star Lock Washer



- Corrosion Resistant Bronze
- Fits 2" Pipe Threads
- Spring Loaded with O-Ring Seal