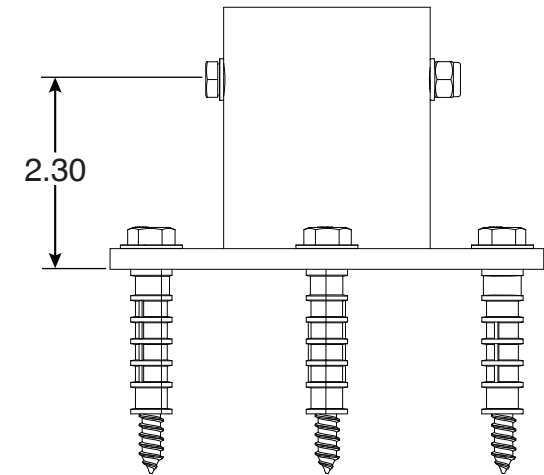
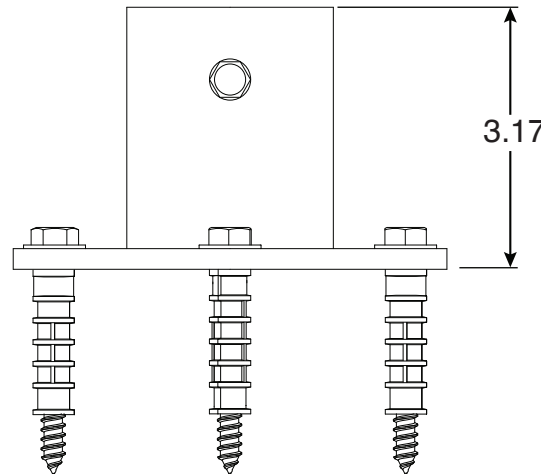
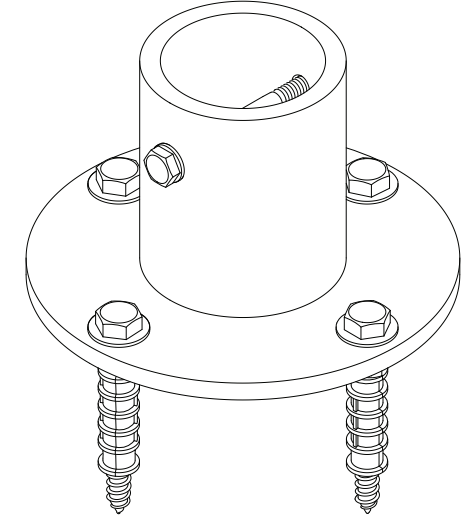
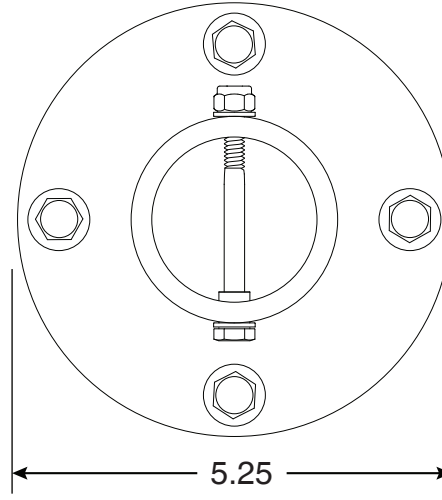




# 1.90" Aluminum Slide Flange with Mounting Hardware

Part No.  
PF-3119-A

Parts List	
QTY	Description
1	White Slide Flange
1	1/4"-20 x 2-3/4" SS Bolt
2	1/4" Stainless Steel Washers
1	1/4" Aluminum Bushing
1	1/4"-20 SS Lock Nut
4	5/16" SS Washer
4	5/16" x 2-1/2" SS Lag Bolt
4	5/16" Long Zinc Lag Shield



- White Powder Coated Aluminum
- Accomodates 1.90" OD Tubing
- SS Through Bolt Secures Slide Leg

\*Drill Deck 1/2" Dia x 2" Deep

**Important** - Clear all debris from hole before inserting the lag shield.

Page 1 of 1



Perma-Cast Co. Pueblo, CO  
www.permacastonline.com  
Call 800-748-2770