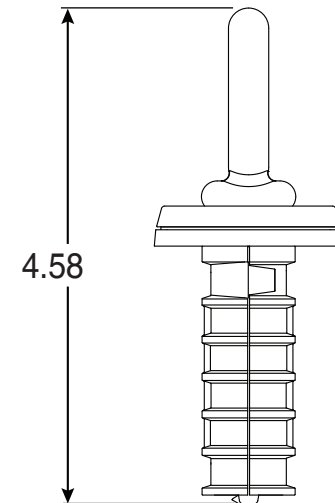
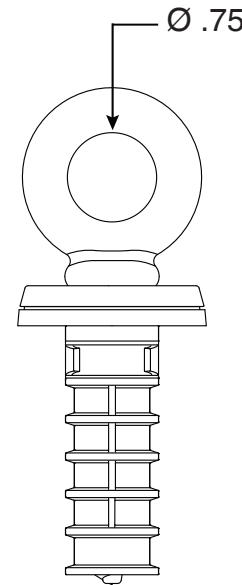
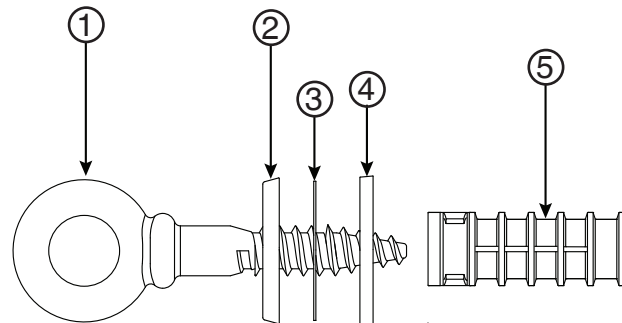
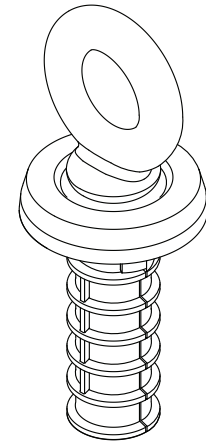
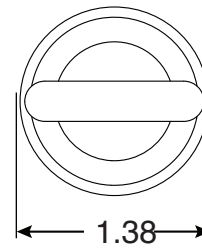




Concrete Eye Anchor

Part No.
PI-74S

Parts List		
Part #	QTY	Description
1	1	PI-74S Lag Rope Eye
2	1	Chrome Plated Bezel
3	1	Nylon Washer
4	1	Rubber Gasket
5	1	5/8" Lag Shield



Page 1 of 1

- Chrome Plated Bronze
- Rope Eye with Lag Shield

*Drill Deck 3/4" Dia x 2" Deep

Important - Clear all debris from hole before inserting the lag shield.