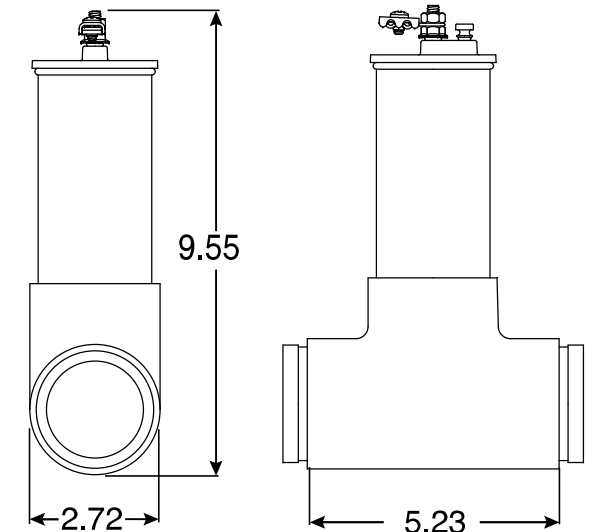
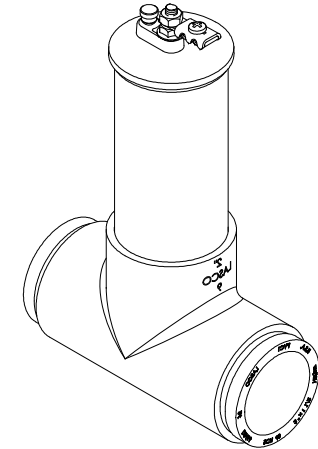
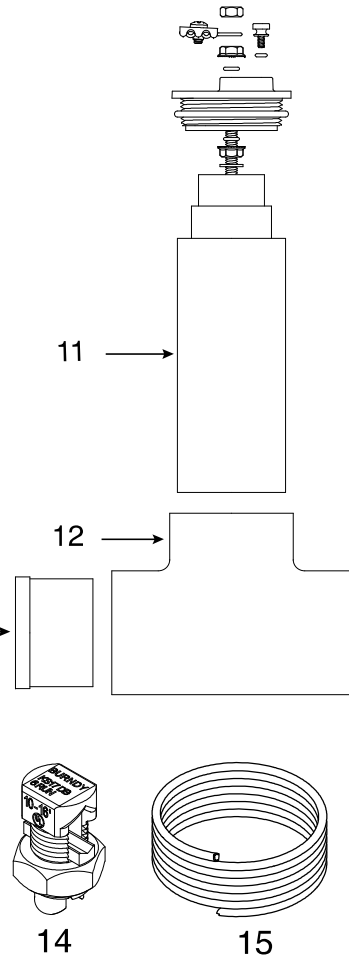
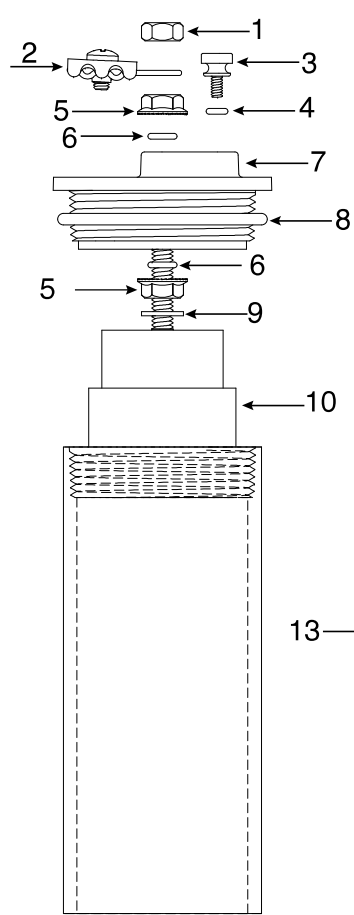




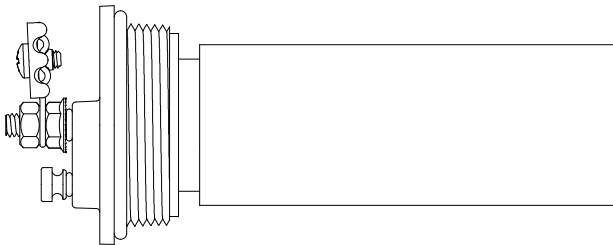
In-Line Anode

Part No.
TN-IL-20

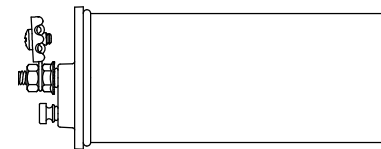
Parts List		
Part #	QTY	Description
10	1	TN-200 Zinc Anode
7	1	TN-200 Technode Cap
11	1	Clear Anode Housing
12	1	PVC Tee
13	2	PVC Bushing
1	1	1/4"-20 Stainless Steel Nut
5	2	1/4"-20 Stainless Steel Flanged Nut
4	1	Small O-Ring
6	2	Medium O-Ring
8	1	Large O-Ring
2	1	Anode Wire Lug Assembly
3	1	Vent Thumb Screw
9	1	1/4" Stainless Steel Washer
14	1	Bonding Split Bolt
15	1	Anode Connection Wire (Green)



Replacement for TN-IL-20
Part No. TN-200



- Anode Connects Directly to Metal Filter or Heater Core
- 53 Square Inches Zinc Anode
- Clear PVC Housing for Easy Anode Inspection
- Simple Anode Inspection
- Weatherproof Installation Stick to Monitor Service



TN-IL-20S
Spigot Model

Includes All Parts Minus PVC Tee and Bushings

Page 1 of 1



Perma-Cast Co. Pueblo, CO
www.permacastonline.com
Call 800-748-2770