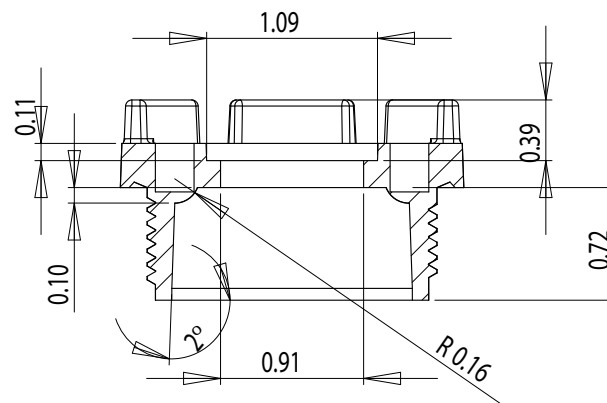
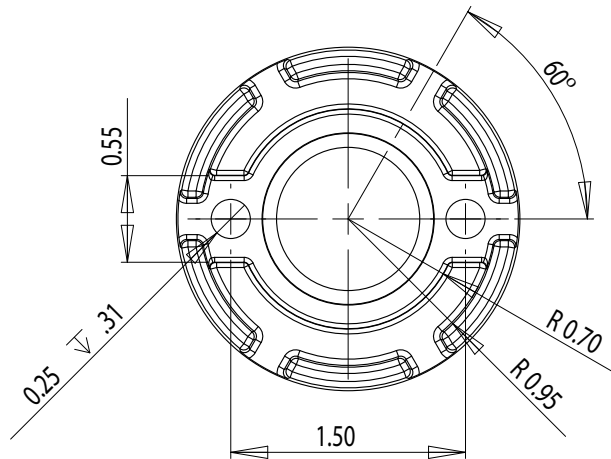
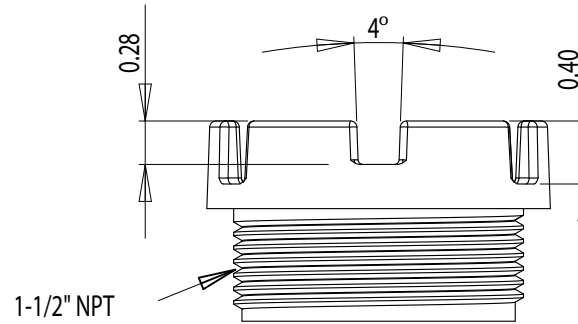
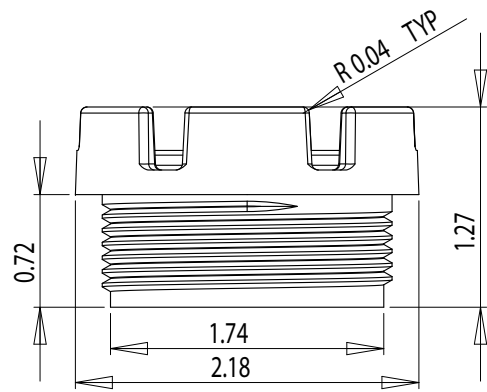
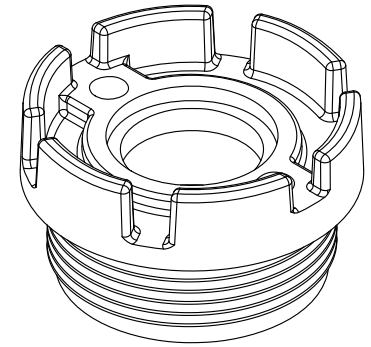




PoolBond Skimmer 1-1/2" Skimmer Plug

Part No.
PB-SK-15



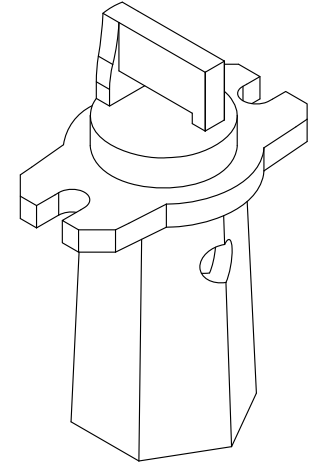
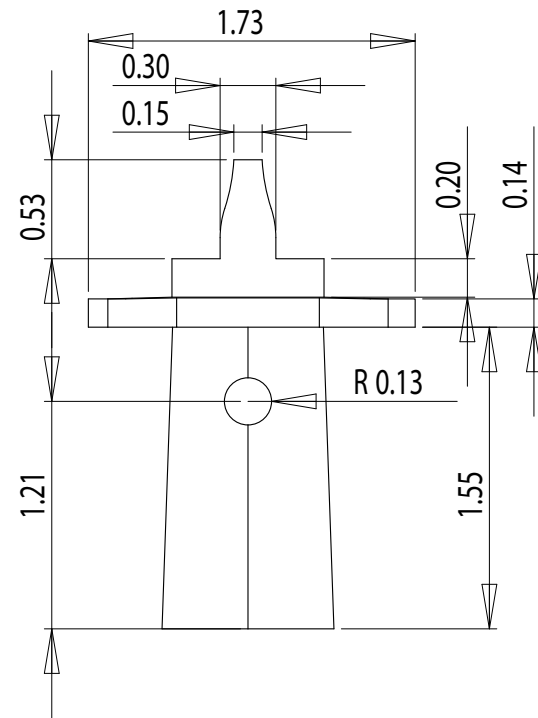
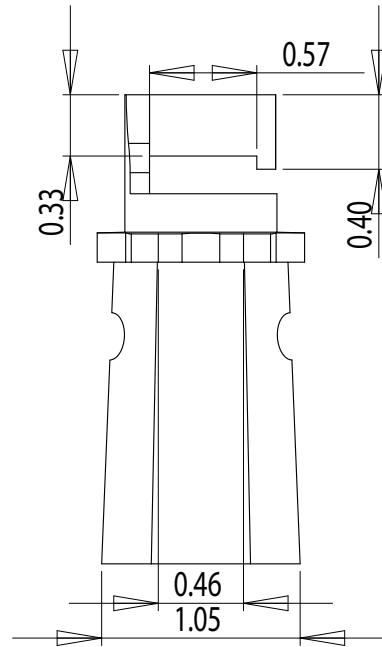
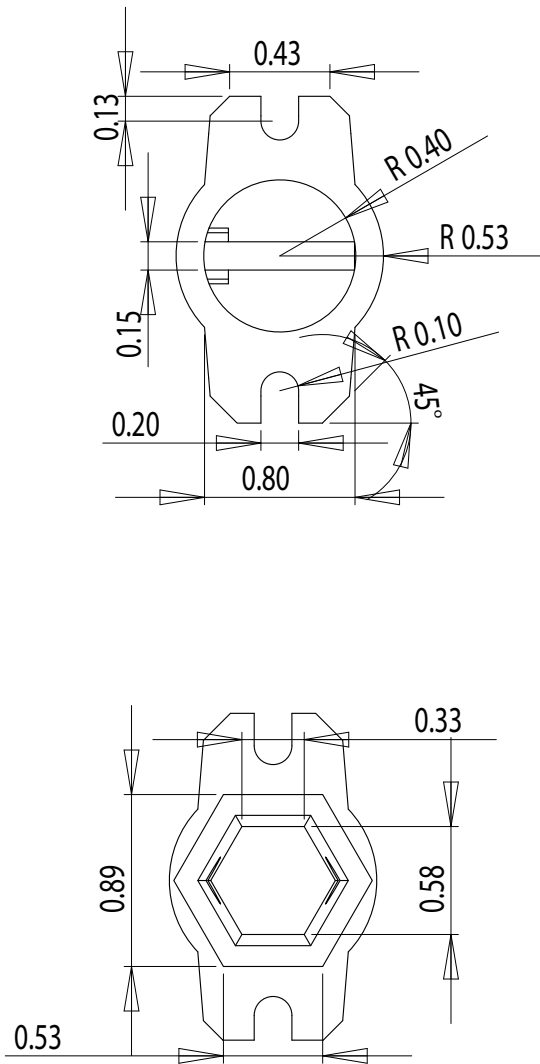
Patent: US 9,194,148 B1

Perma-Cast Co. Pueblo, CO
www.permacastonline.com
Call 800-748-2770



PoolBond Skimmer Skimmer Fitting

Part No.
PB-SK2008



Patent: US 9,194,148 B1

Perma-Cast Co. Pueblo, CO
www.permacastonline.com
Call 800-748-2770