



Part Number
 08KIT-15
 08KIT-20
 08KIT-AG

PoolBond PB-2008 KIT Follow and Save these Instructions

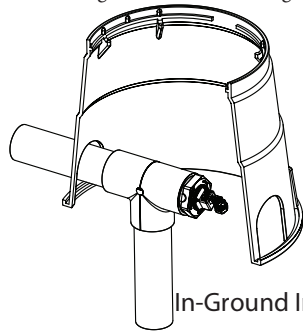
08KIT-15

08KIT-20

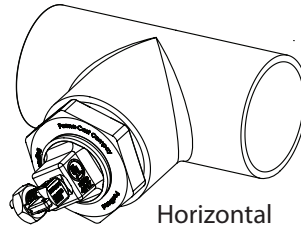
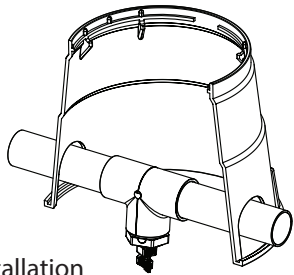
In-Ground Pool Plumbing Kit

Installation Guidelines

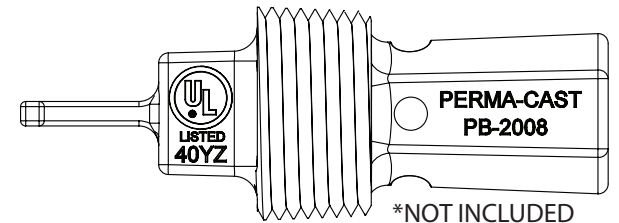
- Install PoolBond Fitting 3" below water level to insure that pool water is bonded, even when pool equipment is off.
- PoolBond Fitting should be installed in a location where it can be periodically inspected. Sprinkler System Valve Box is shown in illustration(1).
- For Best Results use plumbers pipe dope to seal threads.
- Mount PoolBond fitting horizontal(2) to avoid trapping air in piping.
- Use PVC primer and cement to glue all slip joints.
- Do not over-tighten PoolBond fitting. See installation instructions for PB-2008. (https://www.permacastonline.com/pdf/Perma-Cast_PB-2008_Instructions.pdf)



In-Ground Installation



Horizontal



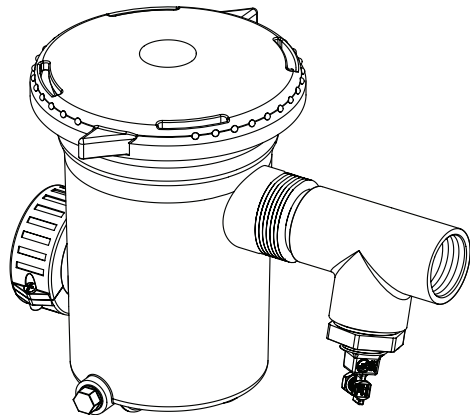
*NOT INCLUDED

08KIT-AG

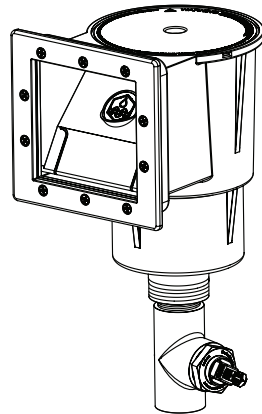
Above Ground Pool Plumbing Kit

Installation Guidelines

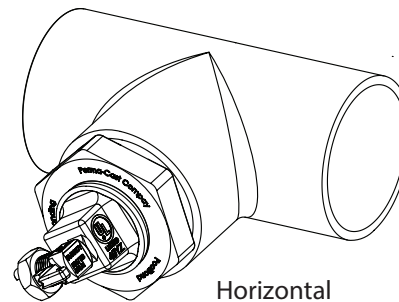
- Mount to pool pump(1) or skimmer(2). Mounting to pump will simplify wiring.
- For best results use plumbers pipe dope to seal threads.
- Tighten all pipe fittings sufficiently to avoid air intrusion (bubbles in water).
- Mount PoolBond Fitting horizontal(3) or down(4) to avoid trapping air in piping.
- Do not over-tighten PoolBond Fitting. See installation instructions for PB-2008. (https://www.permacastonline.com/pdf/Perma-Cast_PB-2008_Instructions.pdf)



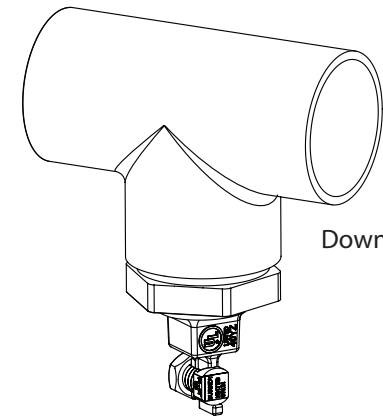
Pump Mount



Skimmer Mount



Horizontal



Down