

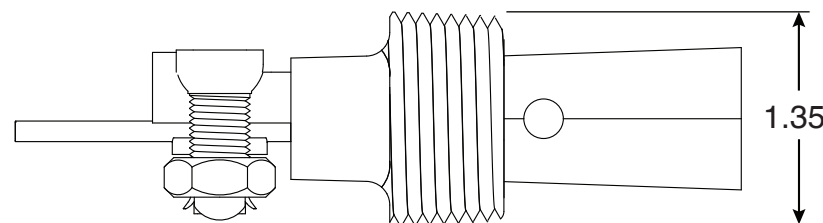
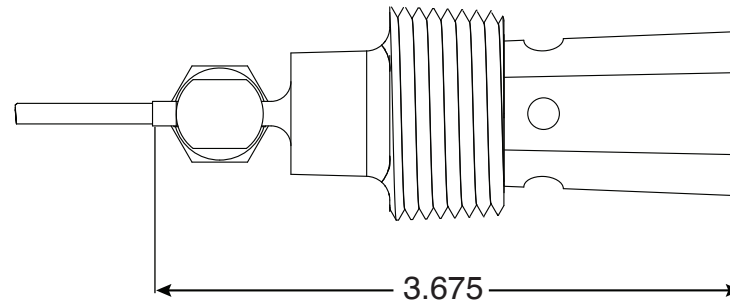
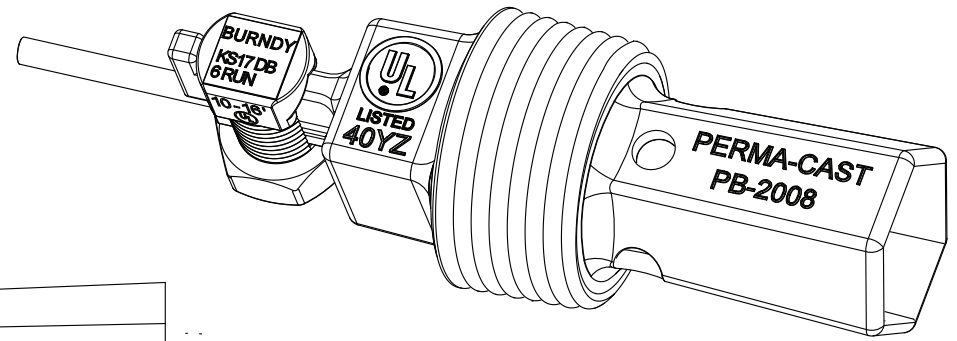


PoolBond Water Bonding Fitting

Part No.
PB-2008



Parts List		
Part #	QTY	Description
1	1	PB-2008 Fitting
2	1	Bonding Split Bolt



- Complies with Nation Electrical Code 680.26(C)
- UL Listed
- 1" NPT Water Bonding Fitting
- 10.6 Total Square Inches

Perma-Cast Co., LLC. Pueblo, CO
www.permacastonline.com

719-544-9544

REVISION 06/2023